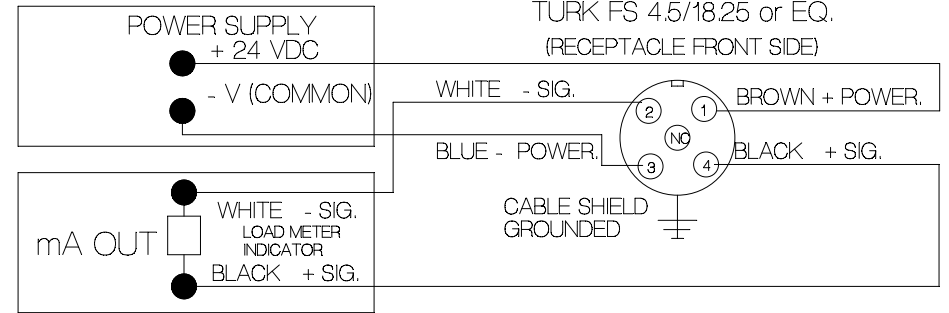
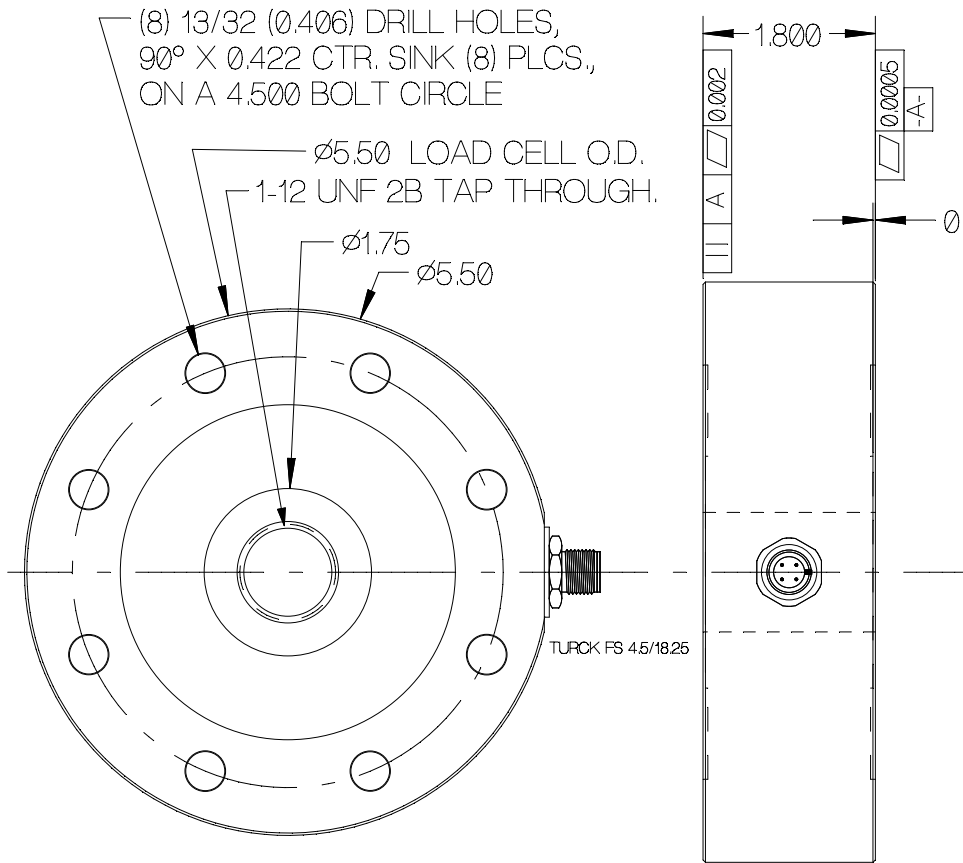


REV	DATE	DESCRIPTION	ECO	SIGN
1	2/28/18	RELEASE TO PILOT		BKM



WIRE COLOR CODE:		PIN NO.
+ 24 V.D.C. POWER	BROWN	1
- SIGNAL OUTPUT	WHITE	2
- POWER (COMMON)	BLUE	3
+ SIGNAL OUTPUT	BLACK	4

SPECIFICATIONS:

RATED CAPACITY, (+ OUTPUT COMPRESSION) BI-POLAR 10K, 20K POUNDS
 RATED OUTPUT, (SOURCE CURRENT OUTPUT) 4mA at -R.C. 12mA at no-load, 20 mA at +R.C.
 COMBINED ERROR 0.05% OF F.S.
 NON-REPEATABILITY 0.02%
 ZERO BALANCE, NO-LOAD 12 mA
 TEMPERATURE RANGE, COMPENSATED 14 to 104° F.
 TEMPERATURE EFFECT, OUTPUT 0.018%/F.
 TEMPERATURE EFFECT, ZERO BALANCE 0.005%/F.
 POWER SUPPLY VOLTAGE, (MINIMUM) 18 VDC
 POWER SUPPLY VOLTAGE, MAXIMUM 28VDC
 INSULATION RESISTANCE 5,000 MEG.OHMS @ 28 VDC
 MAXIMUM LOAD, SAFE 150% F.S.
 MAXIMUM LOAD, ULTIMATE 200% F.S.
 LOAD CELL ELEMENT CONSTRUCTION HEAT TREATED ALLOY STEEL
 LOADS SHOULD BE APPLIED IN-LINE WITH CELL CENTER, NO OVERHUNG LOADS.
 BOLT CIRCLE NORMAL INSTALLATION TORQUE: 300 IN-LBS.
 CENTER BOLT TORQUE OF 300 FT-LBS OR MORE WILL RESULT IN UN-REPAIRABLE DAMAGE.



TOLERANCES UNLESS OTHERWISE SPECIFIED:

XXX = ± 0.005
 XX = ± 0.015
 X = ± 0.025

SCALE: HALF



TOLEDO
 TRANSDUCERS,
 INC.

Designed By: Mettert

Date: 9/11/97

Drawn By:

Date:

Approved By:

Date:

Title / Description:

SS1177 10K, 20K POUND
 UNIVERSAL LOAD CELL
 SPECIFICATIONS

Dwg. Size:
 A

Dwg. Type:
 SPEC

Page 1 of 1

Part No.

SS1177mA-XX

File Name

17918

Doc. No.

17918