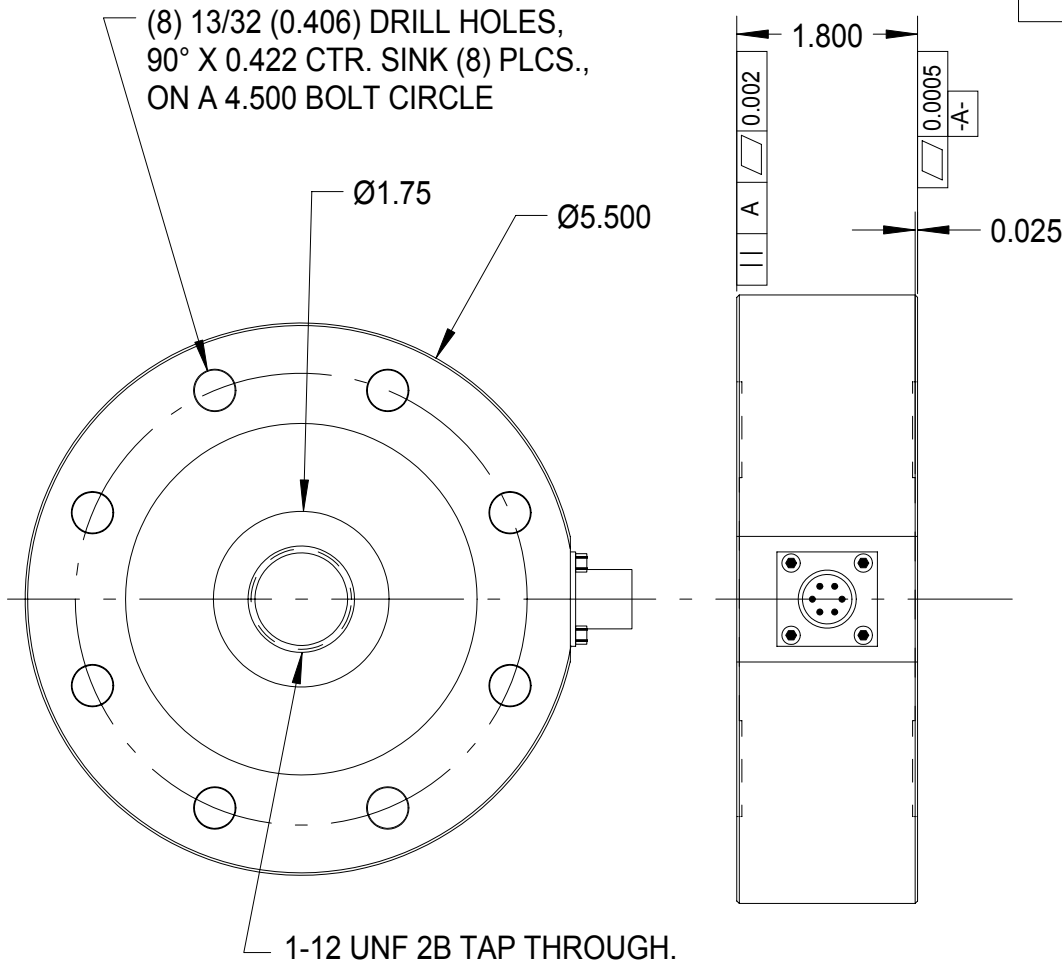
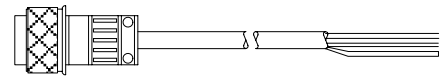
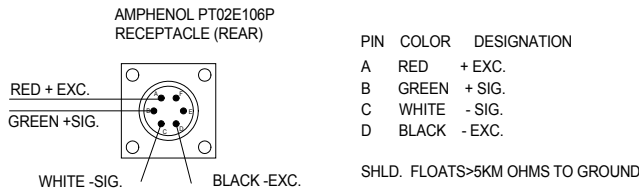


REV	DATE	DESCRIPTION	ECO	SIGN
1	1/20/98	RELEASE TO PILOT	602	RAB



SPECIFICATIONS:

Rated Capacity, tension and or compression	10,000 pounds
Rated Output, Typical	2 mV/V
Combined error	0.05 % F.S.
Non-repeatability	0.01 % F.S.
Zero Balance	1 % R.O.
Temperature Range, Compensated	50° F to 150° F
Temperature Effect, Output	0.0008 % of load / ° F
Temperature Effects, Zero Balance	0.0015 % / R.O. / ° F
Temperature Range, Useable	-65° F to 200° F
Bridge Impedance, Typical	700 ohms
Excitation Voltage, Typical	10 VDC or VAC rms
Excitation Voltage, Maximum	15 VDC or VAC rms
Insulation Resistance	> 5,000 megohms at 50 VDC
Load, for Infinite Life, tension or compression	10,000 pounds
Load, for Infinite Life, tension and compression	5,000 pounds
Overload, Safe	150 % over Rated Capacity
Overload, Ultimate	200 % over Rated Capacity
Construction	ALLOY STEEL
Cable color code:	
Green or Yellow	+ Excitation
Black	- Excitation
White	+ Signal
Red	- Signal
Shield	Floats at cell
Cell Receptacle, Bendix	MS3112E-10-6P, (PT02E-10-6P)
Cable Plug, Bendix, (Length T.B.D.)	PT06A-10-6S-SR



TOLERANCES UNLESS OTHERWISE SPECIFIED:

.XXX = ± 0.005	SCALE: HALF
.XX = ± 0.015	
.X = ± 0.025	



Designed By:	Mettert	Date:	9/11/97
Drawn By:		Date:	
Approved By:		Date:	

Title / Description:	
SS1177 10,000 POUND UNIVERSAL LOAD CELL SPECIFICATIONS	
Dwg. Size:	Dwg. Type:
A	SPEC

Page 1 of 1

Part No.	SS1177-10K
File Name	10505SP.FCD
Doc. No.	10505