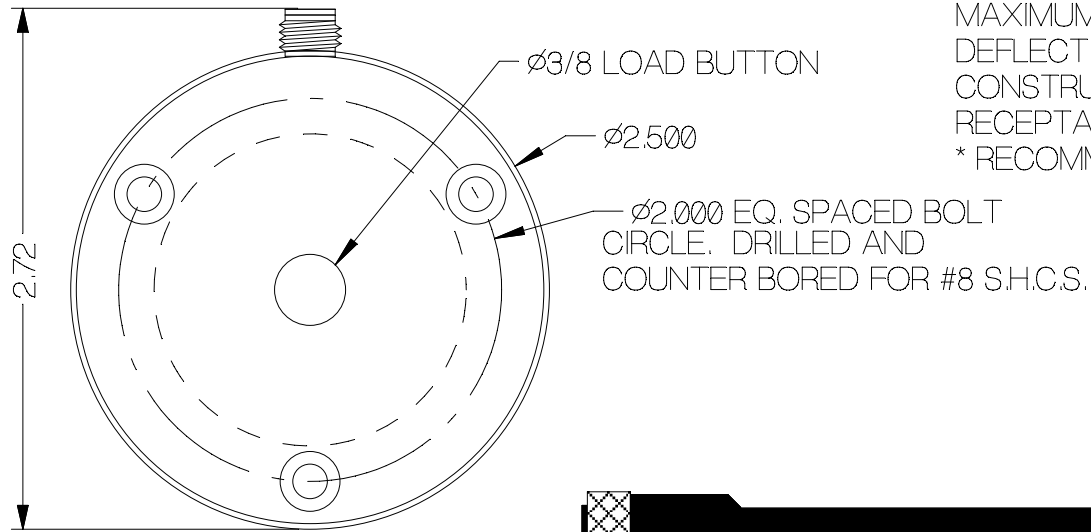
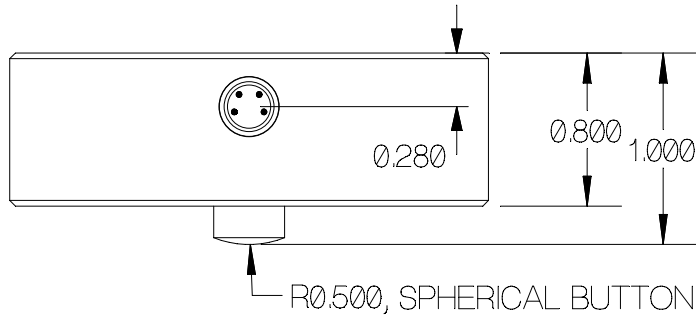


REV	DATE	DESCRIPTION	ECO	SIGN
1	8/6/13	RELEASE TO PILOT		BKM

SPECIFICATIONS:

RATED CAPACITY	100 LBf
RATED OUTPUT	2 mV/V typical
COMBINED ERROR	±0.5% / CURVE PROVIDED
NON-REPEATABILITY	0.02 %
ZERO BALANCE	± 10 %
TEMPERATURE RANGE, COMPENSATED	+60 TO 160° F
TEMPERATURE EFFECT, OUTPUT	0.0005 % of Load / ° F
TEMPERATURE EFFECT, ZERO BALANCE	NOT RATED*
INPUT IMPEDANCE, OUTPUT IMPEDANCE	350 OHMS, typical
EXCITATION VOLTAGE (typical)	10 VDC or VAC rms
EXCITATION VOLTAGE, MAXIMUM	15 VDC or VAC rms
INSULATION RESISTANCE	5,000 MEG OHMS @ 50 VDC
MAXIMUM LOAD, SAFE	150 % F.S.
MAXIMUM LOAD, ULTIMATE	300 % F.S.
DEFLECTION AT RATED CAPACITY, APPROXIMATE	0.001 in.
CONSTRUCTION	TOOL STEEL
RECEPTACLE ON LOAD CELL	TURCK MFSS 4-0.2

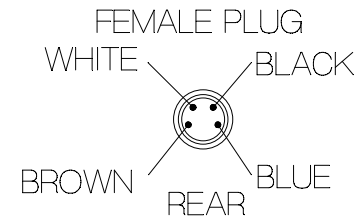
* RECOMMEND AUTO ZERO OR AUTO TARE BETWEEN CYCLES.



WIRE COLOR CODE:	TURCK	PIN NO.
+EXCITATION	BROWN	1
+SIGNAL	WHITE	2
- SIG	BLUE	3
- EXCITATION	BLACK	4



T.T.I. NO. (4247-222) TURCK PKG4M-4 METER



TOLERANCES UNLESS OTHERWISE SPECIFIED:

XXX = ± 0.005

XX = ± 0.015

X = ± 0.025

SCALE: FULL



TOLEDO
TRANSDUCERS,
INC.

Designed By: Mettert

Date: 8/6/13

Drawn By:

Date:

Approved By:

Date:

Title / Description:

100 LB LOAD CELL 2 mV/V
SS1175M1K SPECIFICATIONS

Dwg. Size:
A

Dwg. Type:
SPEC

Page 1 of 1

Part No.

SS1175M100LB

File Name

17334

Doc. No.

17334