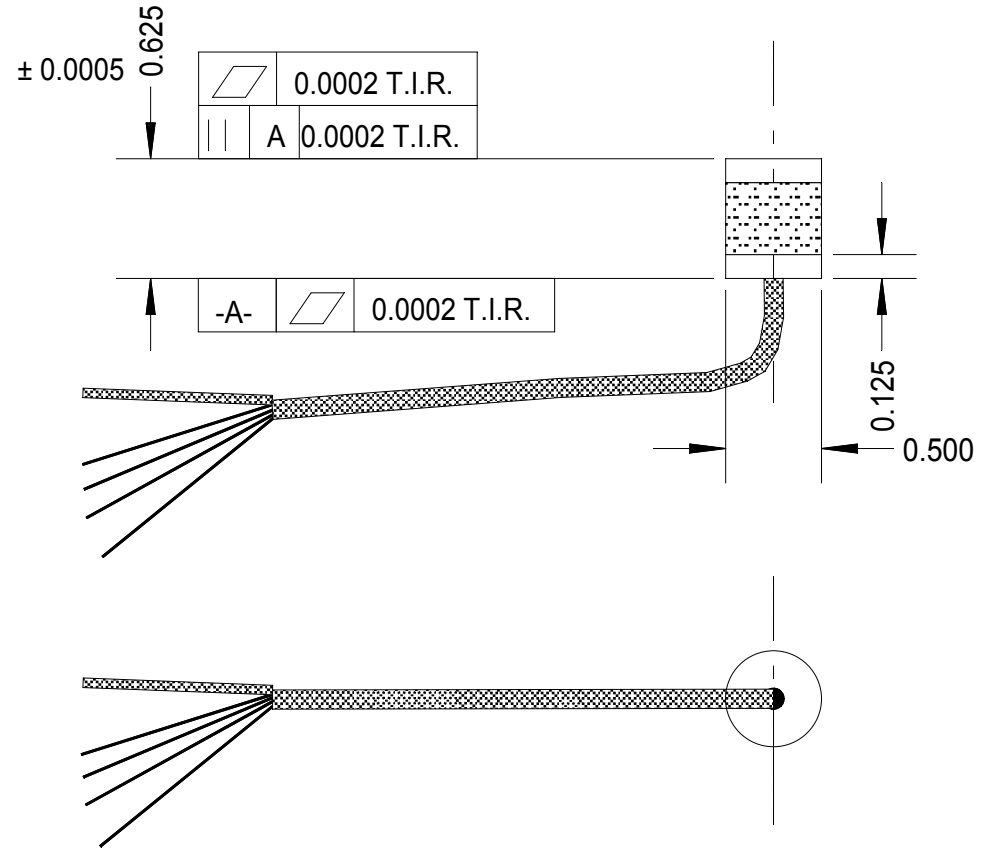


REV	DATE	DESCRIPTION	ECO	SIGN
1	04/11/97	RELEASE TO PILOT	490	RAB

**SPECIFICATIONS:**


Capacity	3,000 pounds
Rated output at capacity, typical. (See calibration data sheet.)	2 mV/V
Combined error (See calibration data sheet.)	0.5%
Non-repeatability	0.05%
No load zero balance	± 10%
Temperature range, compensated	50°F to 150°F
Temperature effects, output	0.001%/°F
Temperature effects, zero balance	0.005%/°F
Input impedance, typical	350 ohms
Output impedance, typical	350 ohms
Excitation Voltage, typical	10 VDC or AC rms
Excitation voltage, maximum	15 VDC or AC rms
Insulation resistance	<5,000 Megohms @ 50 VDC
Maximum load, safe	150%
Maximum load, ultimate	200%



**COLOR CODE:**

- YELLOW + EXC.
- BLACK - EXC.
- WHITE + EXC.
- RED - EXC.
- SHIELD FLOATS AT CELL
- CABLE: MICROTECH MS4-30 0.110 DIAMETER BY 10 FT. LONG.

REF. SS1071

TOLERANCES UNLESS OTHERWISE SPECIFIED:		 <b>TOLEDO TRANSDUCEERS, INC.</b>	Designed By: <b>Mettert</b>	Date: <b>4/10/97</b>	Title / Description: <b>3K BUTTON LOAD CELL</b>		Part No. <b>SS1146</b>
.XXX = ± 0.005	SCALE: FULL		Drawn By:	Date:			File Name <b>10336SP.FCD</b>
.XX = ± 0.015			Approved By:	Date:	Dwg. Size: <b>A</b>	Dwg. Type: <b>SPEC</b>	Doc. No. <b>10336</b>
.X = ± 0.025							
FINISH: FINE BRUSHED LOOK							
MAT'L: ALLOY STEEL							
HARDNESS: Rc 40-46							
						Page 1 of 1	