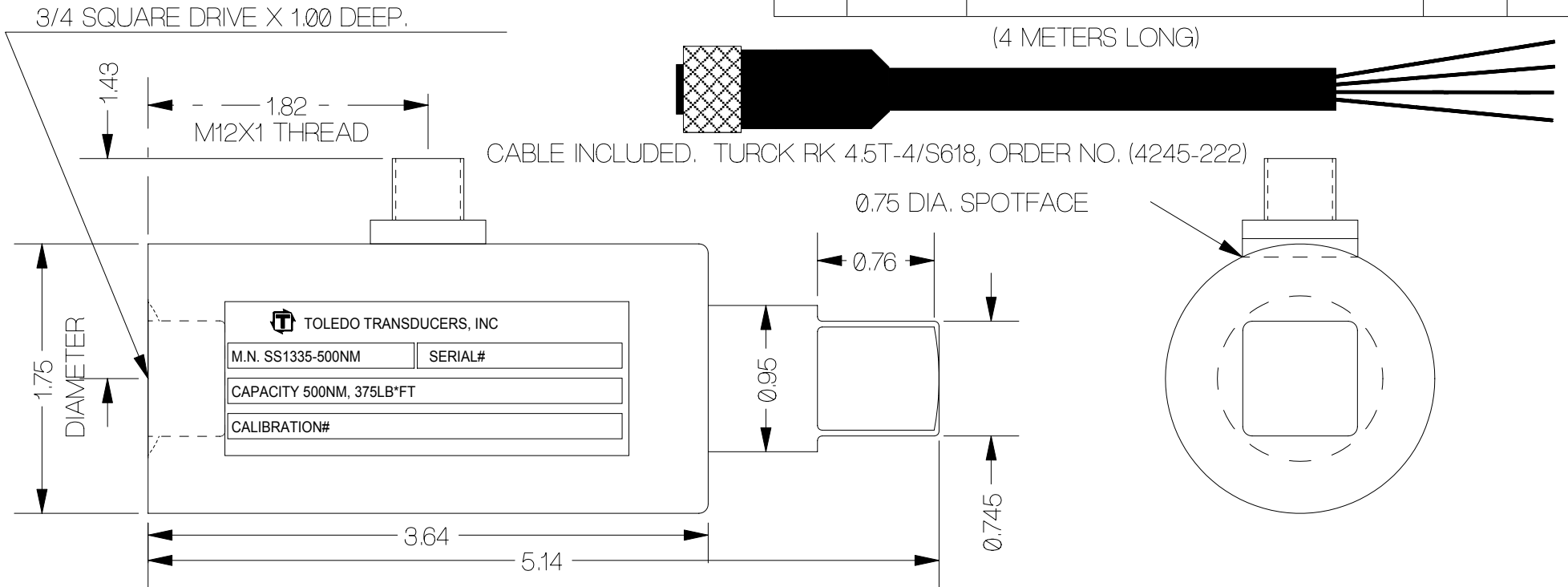


REV	DATE	DESCRIPTION	ECO	SIGN
1	2/22/05	RELEASE TO PILOT		

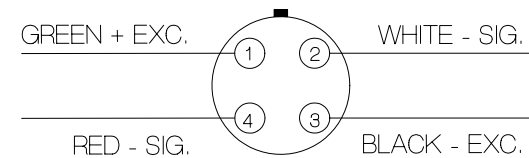


**SPECIFICATIONS:**

RATED CAPACITY	500 NM, 375 Lb-FT
RATED OUTPUT	2 mV/V typical
COMBINED ERROR	± 0.25% F.S.
NON-REPEATABILITY	0.01 %
ZERO BALANCE	± 10 %
TEMPERATURE RANGE, COMPENSATED	+60 TO 160° F
TEMPERATURE EFFECT, OUTPUT	0.001 % of Load / ° F
TEMPERATURE EFFECT, ZERO BALANCE	Not rated
INPUT IMPEDANCE, OUTPUT IMPEDANCE	350 OHMS, typical
EXCITATION VOLTAGE (typical)	10 VDC or VAC rms
EXCITATION VOLTAGE, MAXIMUM	15 VDC or VAC rms
INSULATION RESISTANCE	5,000 MEG OHMS @ 50 VDC
MAXIMUM LOAD, SAFE	150 % F.S.
MAXIMUM LOAD, ULTIMATE	200 % F.S.
CONSTRUCTION	STAINLESS STEEL COVER, ALLOY STEEL ELEMENT

WIRE COLOR CODE:	T.T.I. STD.	PIN NO.
+EXCITATION	BROWN GREEN	1
-SIGNAL	WHITE RED	2
-EXCITATION	BLUE BLACK	3
+ SIGNAL	BLACK WHITE	4

12mm EUROSTYLE  
(REAR RECEPTACLE SIDE)



TOLERANCES UNLESS OTHERWISE SPECIFIED:

XXX = ± 0.005

XX = ± 0.015

X = ± 0.025

SCALE: FULL



TOLEDO  
TRANSDUCERS,  
INC.

Designed By: Mettert

Date:  
1/6/97

Drawn By:

Date:

Approved By:

Date:

Title / Description:

500 NM, 375 LB-FT  
TORQUE TRANSDUCER

Part No.

SS1135F375

File Name

Dwg. Size: Dwg. Type:

A

SPEC

Page 1 of 1

Doc. No.