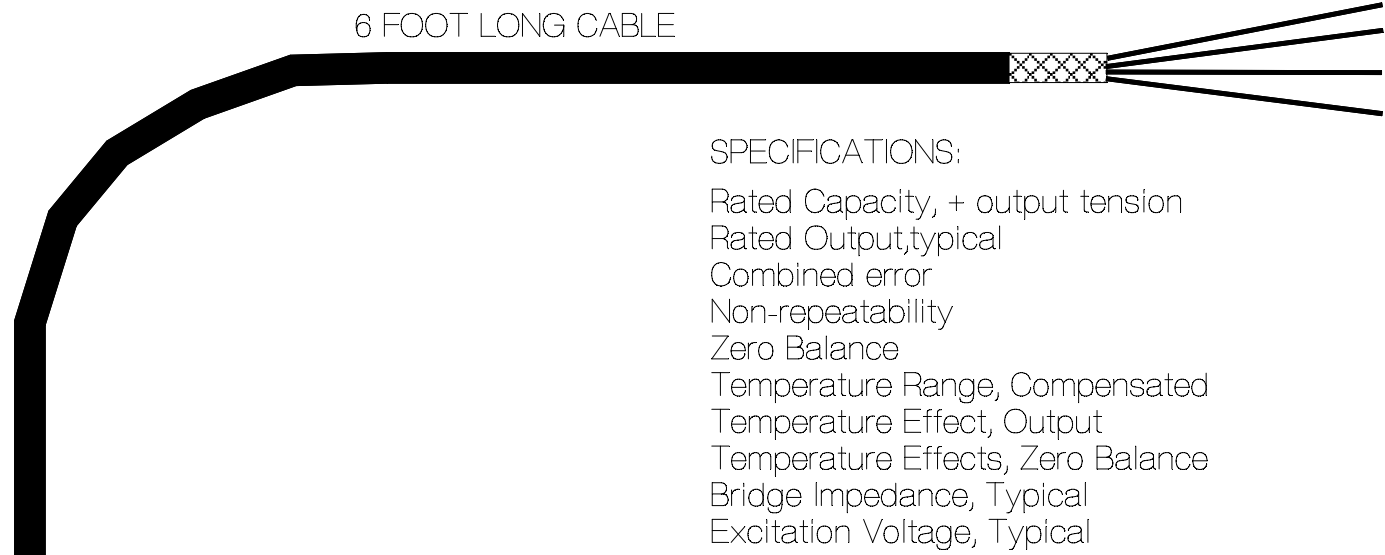


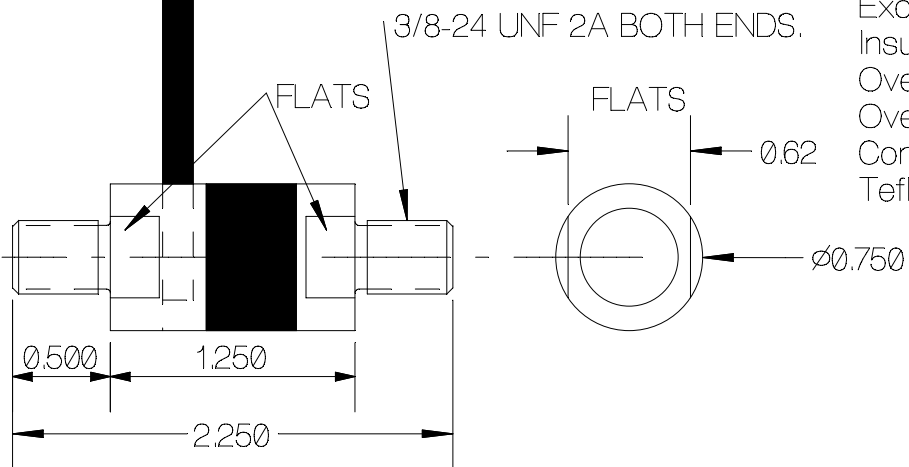
REV	DATE	DESCRIPTION	ECO	SIGN

6 FOOT LONG CABLE



SPECIFICATIONS:

Rated Capacity, + output tension	2,500 pounds
Rated Output, typical	2 mV/V
Combined error	0.25 % F.S.
Non-repeatability	0.05 % F.S.
Zero Balance	1 % R.O.
Temperature Range, Compensated	50 F to 120 F
Temperature Effect, Output	0.015 % of load / F
Temperature Effects, Zero Balance	0.01 % / R.O. / F
Bridge Impedance, Typical	350 ohms
Excitation Voltage, Typical	10 VDC or VAC rms
Excitation Voltage, Maximum	15 VDC or VAC rms
Insulation Resistance	> 5,000 megohms at 50 VDC
Overload, Safe	150 % over capacity
Overload, Ultimate	200 % over capacity
Construction	Tool Steel
Teflon cabled version can operate up to 400°F.	



WIRE COLOR CODE:

+ EXCITATION	RED
- EXCITATION	BLACK
+ SIGNAL	WHITE
- SIGNAL	GREEN
SHIELD	FLOATS AT CELL

TOLERANCES UNLESS OTHERWISE SPECIFIED:  
 XXX = ± 0.005  
 XX = ± 0.015  
 X = ± 0.025  
 SCALE: FULL  
 FINISH: 32 MICRO INCH OR LESS  
 MAT'L: A2 TOOL STEEL  
 HARDNESS: Rc 40-46



Designed By: Mettert  
 Drawn By:  
 Approved By:

Date: 1/14/93  
 Date:  
 Date:

Title / Description:  
 2500 POUND  
 TENSION LINK  
 Dwg. Size: A  
 Dwg. Type: FAB  
 Page 1 of 1

Part No. SS1022  
 File Name 5088.FCD  
 Doc. No. 5088